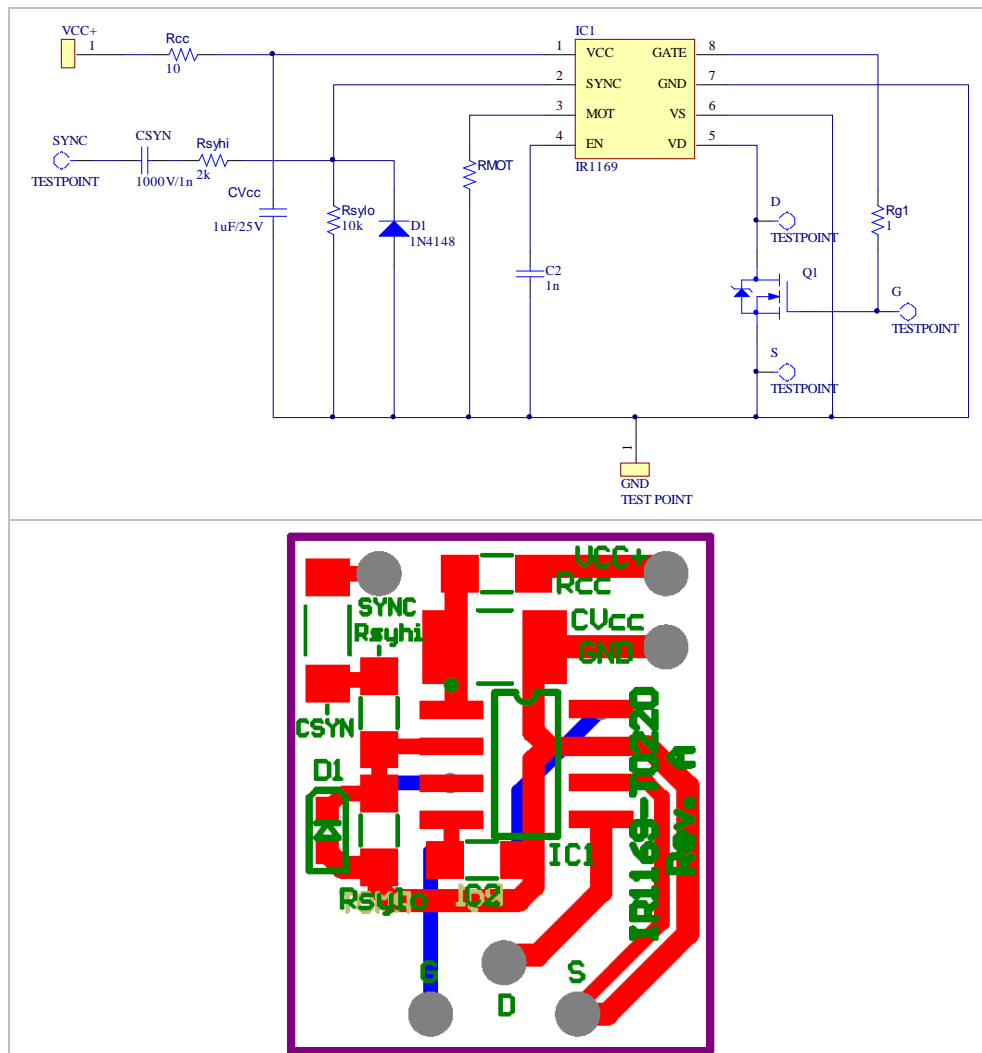


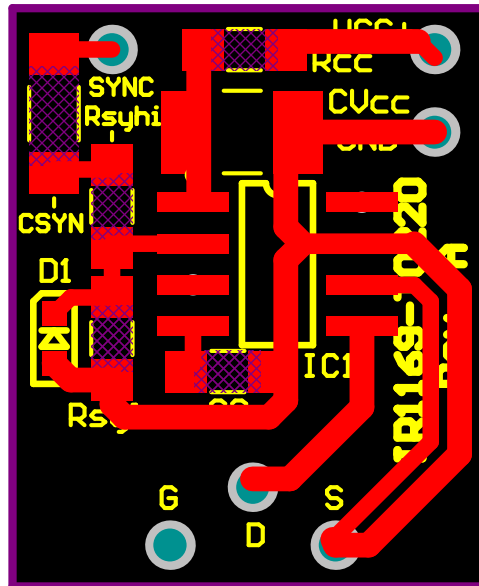
## IR1169 TO220 Daughter Card

### IRAC1169-TO220

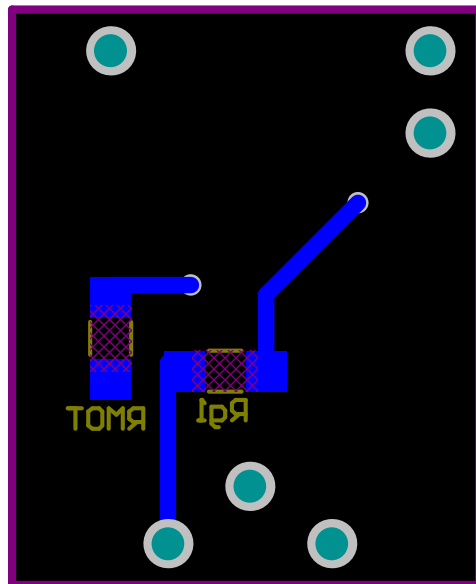
The schematic and PCB layout of the TO220 daughter board are shown below.



The daughter card shown above is designed to allow easy retrofit in existing systems with minimal system changes. The component values in this schematic are recommended but user has freedom to change them per application requirement. The coupling capacitor at SYNC pin (Csyn) is good for high voltage level shift up to 200V, but not sufficient for primary to secondary isolation. Please short Csyn on the daughter card and use through-hole Y-cap for Csyn (connected to the test point SYNC) if primary to secondary isolation is required.



IRAC1169-TO220 Top layer PCB layout



IRAC1169-TO220 Bottom layer PCB layout